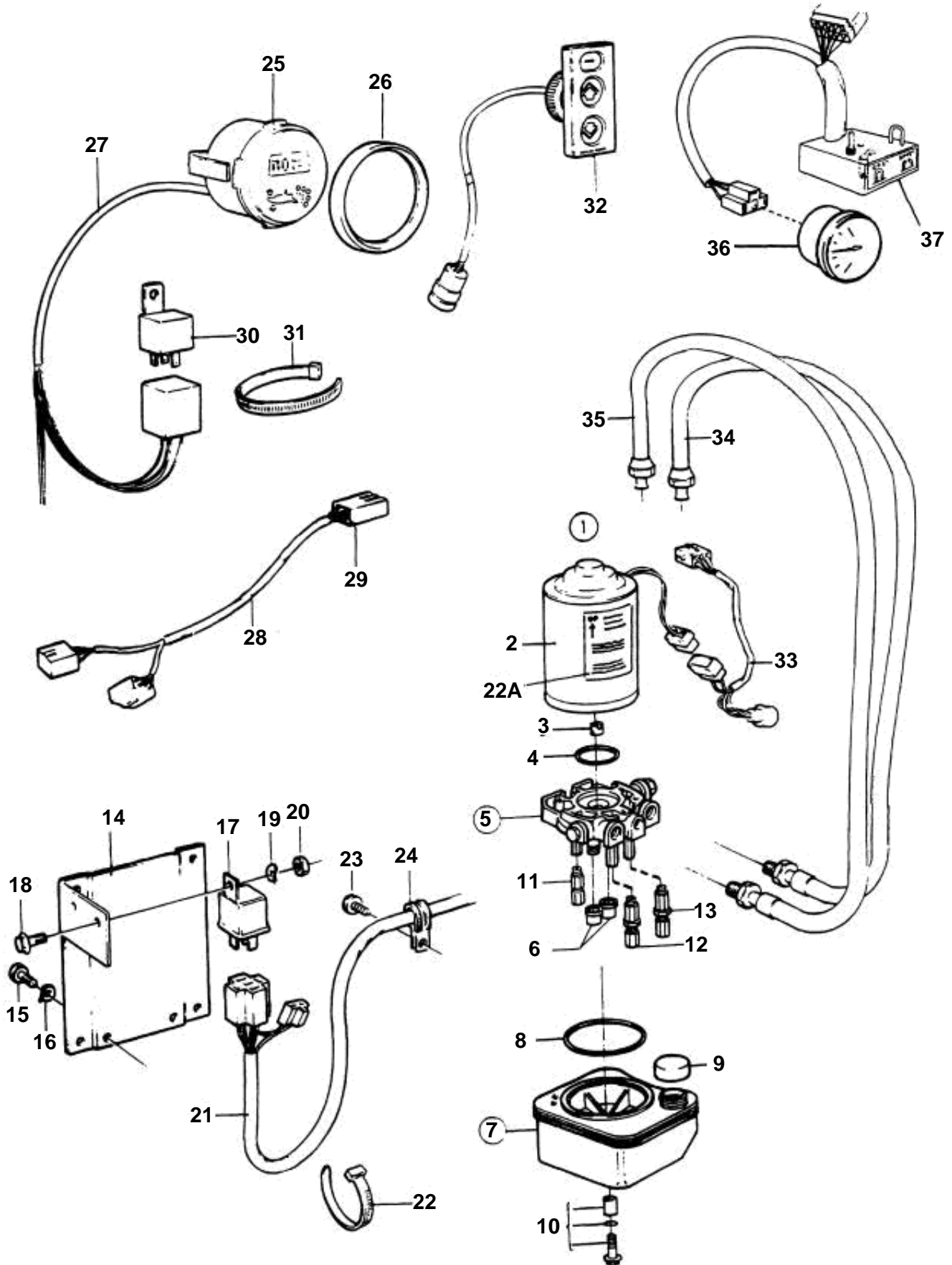


DP - HYDRAULIC PUMP, TRIM INSTRUMENT, INSTALLATION COMPONENTS



DP - HYDRAULIC PUMP, TRIM INSTRUMENT, INSTALLATION COMPONENTS

REF	PART NO.	QTY	DESCRIPTION	NOTES
1	873051	1	Hydraulic pump kit	
2	854525	1	· Engine	
3	854526	1	· · Clutch	
4	854527	1	· · O-ring	
5	854528	1	· Valve housing	
6	854530	2	· · Filter	
7	854531	1	· Reservoir	
8	854532	1	· · O-ring	
9	854533	1	· · Cover	
10	854534	1	· · Small parts kit	
11	854535	1	· Relief unit	
12	873057	1	· High pressure unit	
13	854537	1	· Low pressure unit	
14	854438	1	· Bracket	
15	970945	2	· Screw	
16	941908	2	· Spring washer	
17	854357	2	· Relay	
18	948663	2	· Screw	
19	941905	2	· Spring washer	
20	955780	2	· Nut	
21		X	· CABLES AND TERMINALS	
22	948210		· Strip clamp	
22a	853097	1	· Sign	
23	952630	4	· Clamp	
24	955138	4	· Screw	
25	872498	1	Trimmer	
26	858643	1	Front ring	
27	856821	1	Cable kit	
28	853066	1	Cable trunk	For dual station.
29		X	· CABLES AND TERMINALS	
30	872300	2	Relay	
31	949666	X	Strip clamp,,	
32	853846	1	Control panel, ..,	
33	853032	1	Cable trunk	
	948294	X	· Receptacle housing	
	965822	X	· Cable terminal	
	853498	X	· Receptacle housing	
	853521	X	· Cable terminal	
34	873228	1	Hydraulic hose	
35	873229	1	Hydraulic hose	
36	3857449	1	Distributor	
37	873226	1	Control unit	